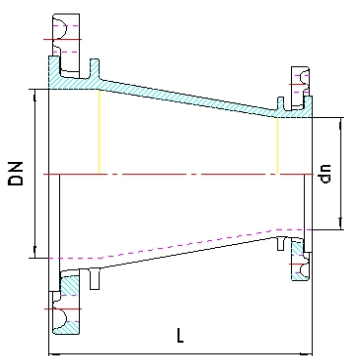


**FLANGED TAPER**

**DUCTILE IRON PIPE FITTINGS**



**DESCRIPTION**

- Ductile iron body
- Blue epoxy anti-corrosion surface coating
- Nominal pressure: 10 Bars or 16 Bars
- Compliant to EN545 standard
- ISO PN10 and PN16 drilled flanges until DN150, from DN200, ISO PN10 or PN16 drilling, to be specified
- A.C.S certified product

Ref	DN	dn	L (mm)	Weight
COB101	60	40	160	5,20 kg
COB104	80	40	200	6,60 kg
COB106	80	60	200	6,90 kg
COB108	100	40	200	6,90 kg
COB110	100	60	200	7,60 kg
COB112	100	80	200	9,60 kg
COB117	125	80	200	9,90 kg
COB118	125	100	200	10,50 kg
COB124	150	100	200	12,30 kg
COB125	150	125	200	13,70 kg
COB128	200	100	235	18,60 kg
COB130	200	150	300	22,30 kg
COB131	250	60	250	24,90 kg
COB135	250	150	250	27,10 kg
COB136	250	200	250	31,30 kg
COB141	300	150	265	32,00 kg
COB142	300	200	265	36,50 kg
COB143	300	250	265	41,30 kg
COB144	350	200	300	52,10 kg
COB145	350	250	300	59,10 kg
COB146	350	300	300	89,00 kg
COB147	400	100	270	52,00 kg
COB148	400	150	270	51,30 kg
COB149	400	200	300	49,00 kg
COB150	400	250	300	55,00 kg
COB151	400	300	300	62,00 kg
COB152	400	350	300	92,80 kg
COB167	500	300	600	100,00 kg
COB154	500	400	600	118,00 kg
COB155	500	450	600	125,00 kg
COB158	600	500	600	165,00 kg